

# SSH™ MULTIPRO

## ROOF PANEL MACHINE

*Light commercial /  
residential multi-profile roof  
panel machine able to produce  
7 different panel profiles*

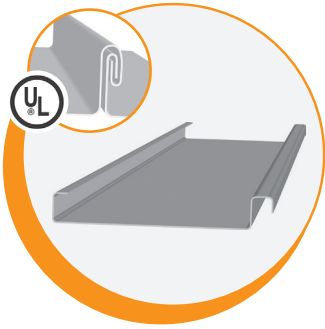


## STANDARD FEATURES

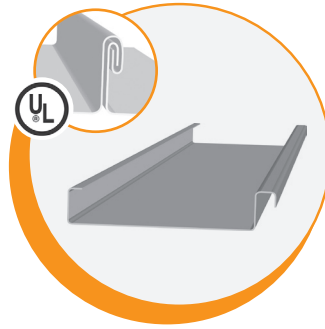
- > Polyurethane drive rollers
- > Powder-coated frame and covers
- > Power interruption safety circuit
- > Runs up to 24-gauge steel
- > Hydraulic drive and shear
- > Length control limit switch
- > **Included:** PLC Batch / Length computerized controller
- > Welded tubular steel frame
- > **Choice of:** Quick-Change™ Profile Roller System
- > Push button RUN/JOG controls
- > **Choice of:** Quick-Change™ Power-Pack (gas or electric)
- > UL rated panels (must be certified by UL for recognition)
- > **Choice of:** One pair of bead, pencil, striation, or V-Rib rollers
- > Industry's best warranty

# PANEL PROFILES

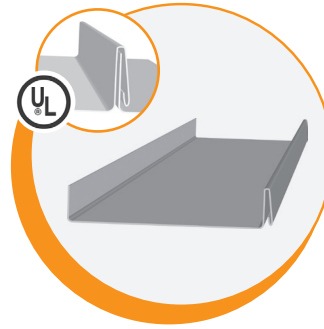
Additional information about these profiles can be found at [newtechmachinery.com](http://newtechmachinery.com)



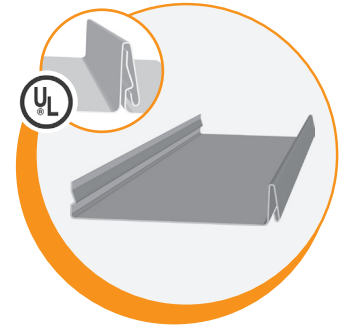
SSH100



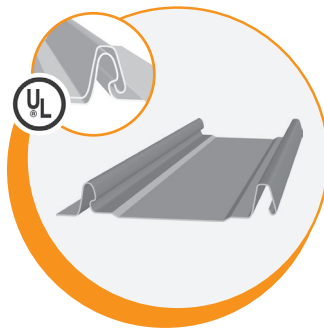
SSH150



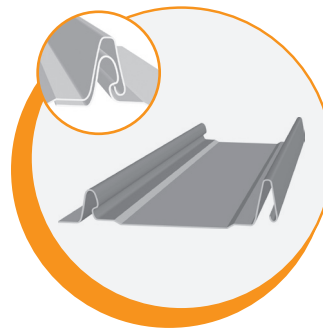
SSH450



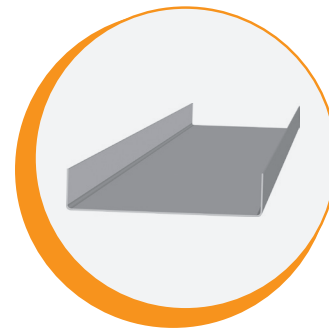
SSH450SL



FFH100



FFH150



T PANEL (1/2"-1 1/2")



*These field formed panels have demonstrated compliance with UL580, Class 90 when a UL certificate accompanies the machine producing panel.*

## WARRANTIES



**USA & Canada Warranty:** Three years parts (including electrical) and three years labor, limited lifetime against separation on drive rollers, limited lifetime against wear on stainless steel forming rollers



**International Warranty:** Three years parts (including electrical/excluding freight), limited lifetime against separation on drive rollers, limited lifetime against wear on stainless steel forming rollers



Scan the QR code or visit [newtechmachinery.com/Machines/Roof-Wall-Panel-Machines/SSH-Roof-Panel-Machine](http://newtechmachinery.com/Machines/Roof-Wall-Panel-Machines/SSH-Roof-Panel-Machine) to learn more about the SSH MultiPro Roof Panel Machine.