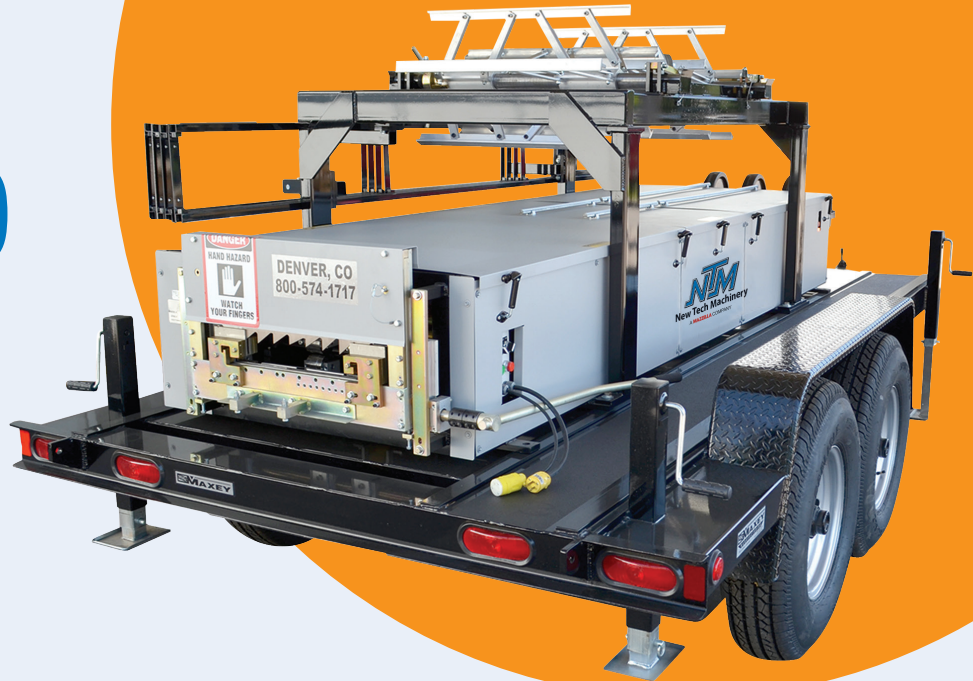


SSR™ MULTIPRO JR.

ROOF PANEL MACHINE



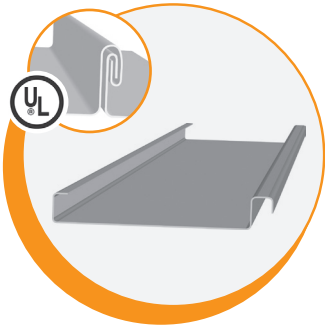
Great entry-level residential / light commercial multi-profile roof panel machine able to produce 7 different panel profiles

STANDARD FEATURES

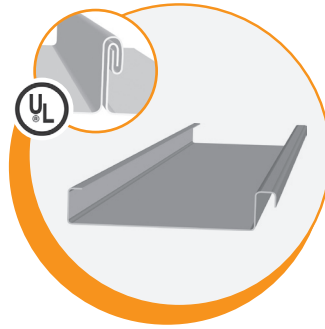
- 110V electric motor (220V available as option)
- Polyurethane drive rollers
- Length control limit switch
- Waterproof NEMA 4 electrical system
- Forward pulling, easy cut shear
- Push button RUN/JOG controls at entry & exit ends
- Industry's best warranty
- Available without electric power
- Dual overhead reel rack
- Powder-coated frame and covers
- **Choice of:** EZE-Change™ Profile Roller System
- **Choice of:** One pair of bead, pencil, striation, or V-Rib rollers
- 100-foot, 10-gauge, 20-amp extension cord
- 2 run-out tables (10-foot sections each)
- One expandable arbor / reel
- Welded tubular steel frame
- UL rated panels (must be certified by UL for recognition)

PANEL PROFILES

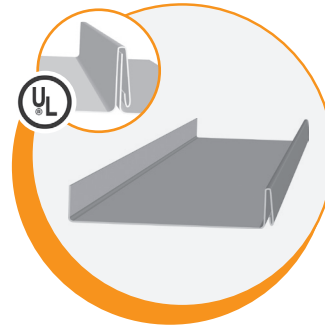
Additional information about these profiles can be found at newtechmachinery.com



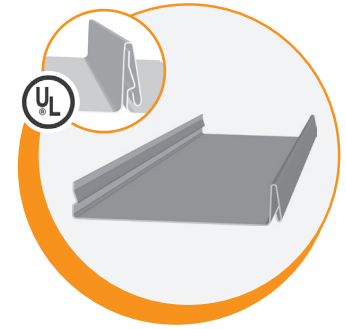
SSR100



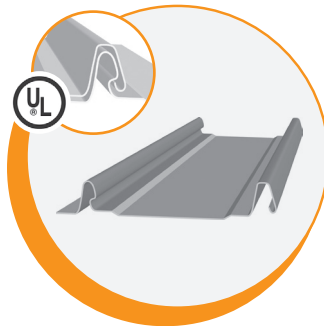
SSR150



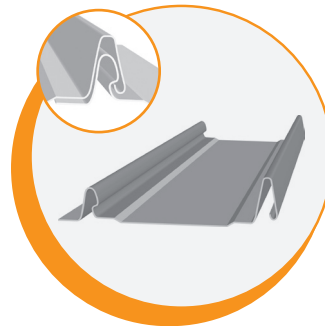
SSR450



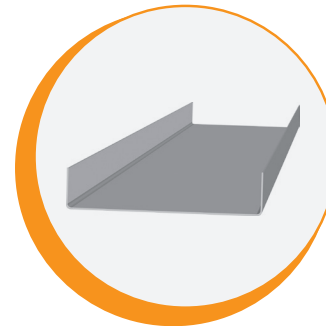
SSR450SL



FFR100



FFR150



T PANEL (1/2"-1 1/2")



These field formed panels have demonstrated compliance with UL580, Class 90 when a UL certificate accompanies the machine producing panel.

WARRANTIES



USA & Canada Warranty: Three years parts (including electrical) and three years labor, limited lifetime against separation on drive rollers, limited lifetime against wear on stainless steel forming rollers



International Warranty: Three years parts (including electrical/excluding freight), limited lifetime against separation on drive rollers, limited lifetime against wear on stainless steel forming rollers



Scan the QR code or visit newtechmachinery.com/Machines/Roof-Wall-Panel-Machines/SSR-Roof-Panel-Machine to learn more about the SSR MultiPro Jr. Roof Panel Machine.